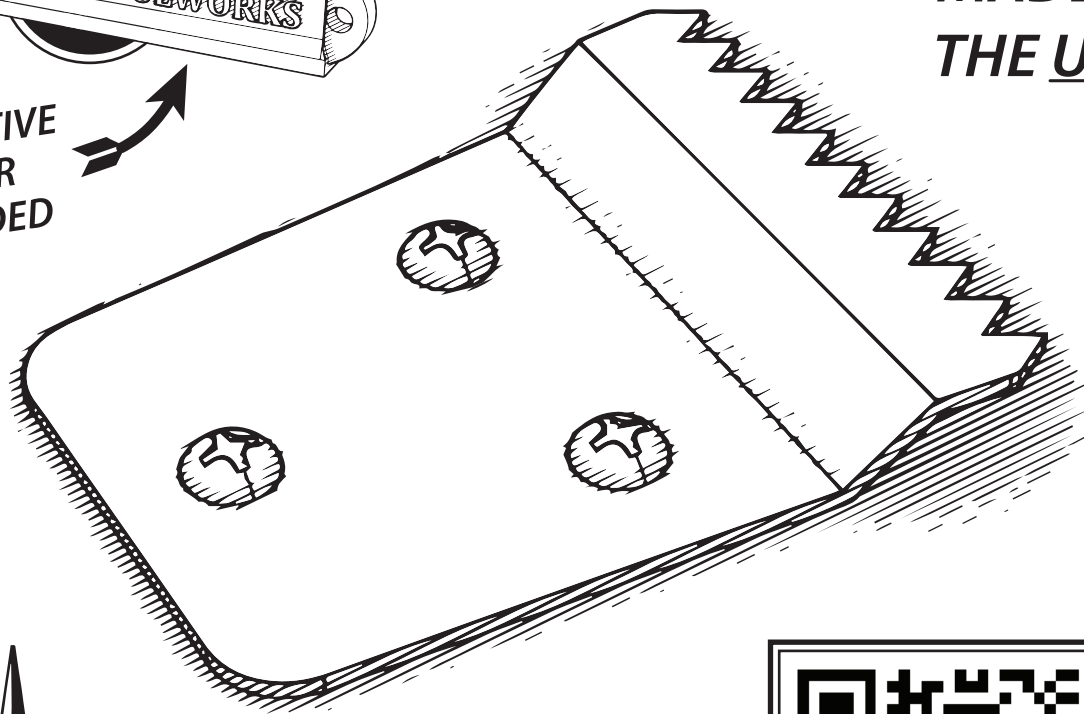


Compass Rose Toolworks

Design and Plans: R. Krueger | Modeling & Drafting: L. Dunn

Ready-Set Planing Stop

*PROUDLY
MADE IN
THE USA!*



**CLICK HERE
OR SCAN
TO ORDER!**

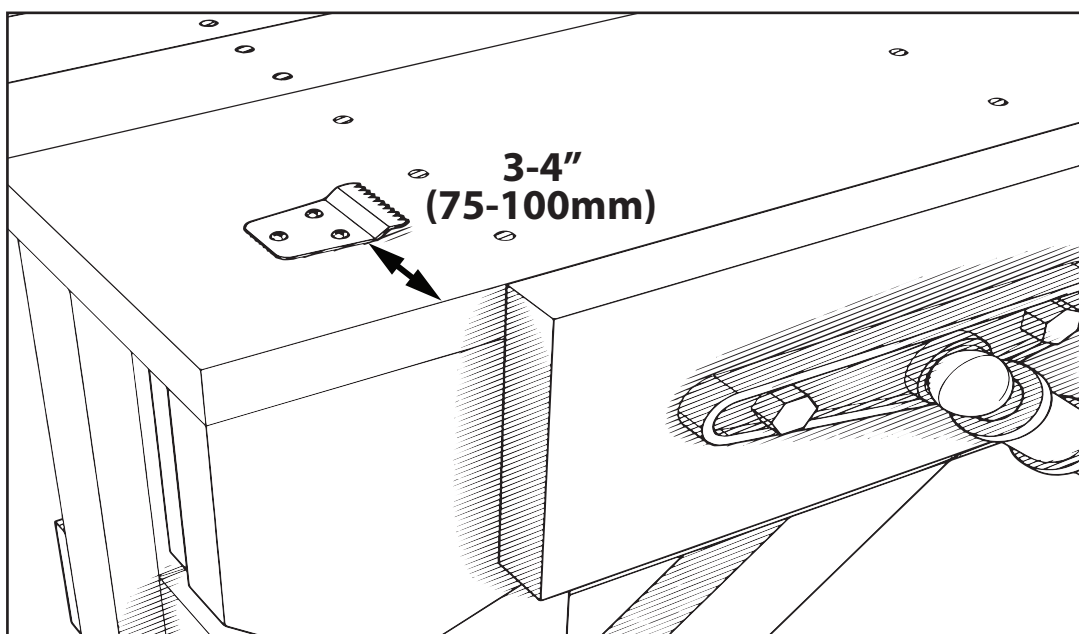


Installation Guide

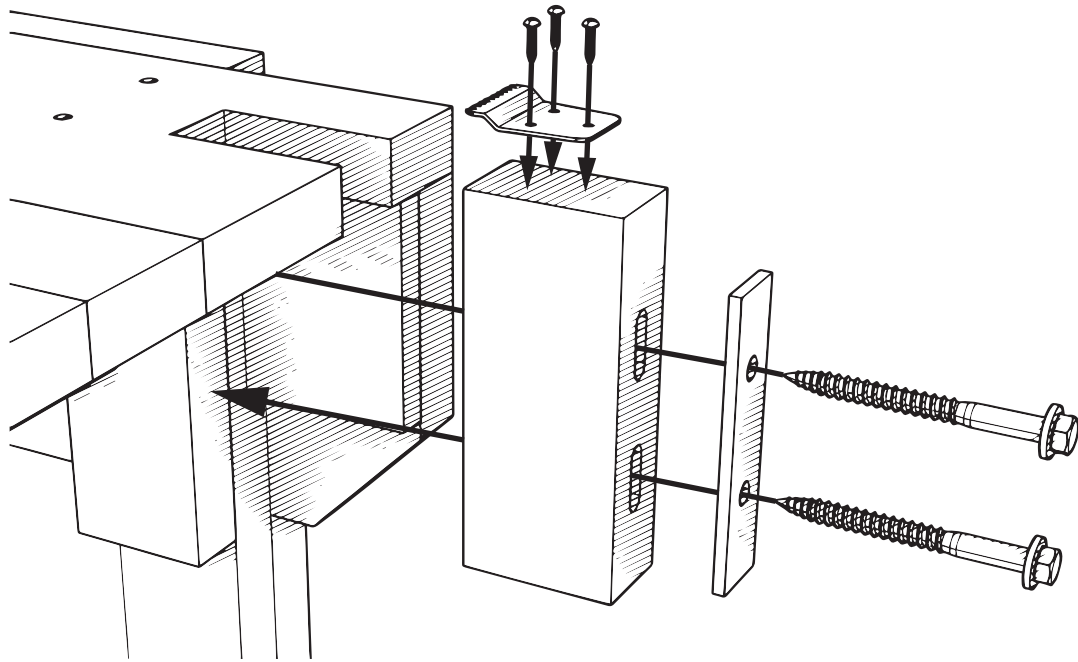
Direct to Bench

Mount your Planing Stop just to the left of your vise but keep it away from the vise area where you often place your work. I like to mount my stop parallel to the edge of the vise and 3"-4" from the

edge of the bench. Keep the stop close to the vise area so you don't over-extend when planing. If your bench is made from hardwood, drill pilot holes for the screws (included). If you have a softwood benchtop, you can drive the screws with an impact driver without pre-drilling.



Post Installation



You can also mount your Planing Stop to a post and lag-screw it to the leg of your bench for easy installation. The exact measurements of the post don't matter, but a hardwood post is recommended. For more information on post installation, see [this video](#).

