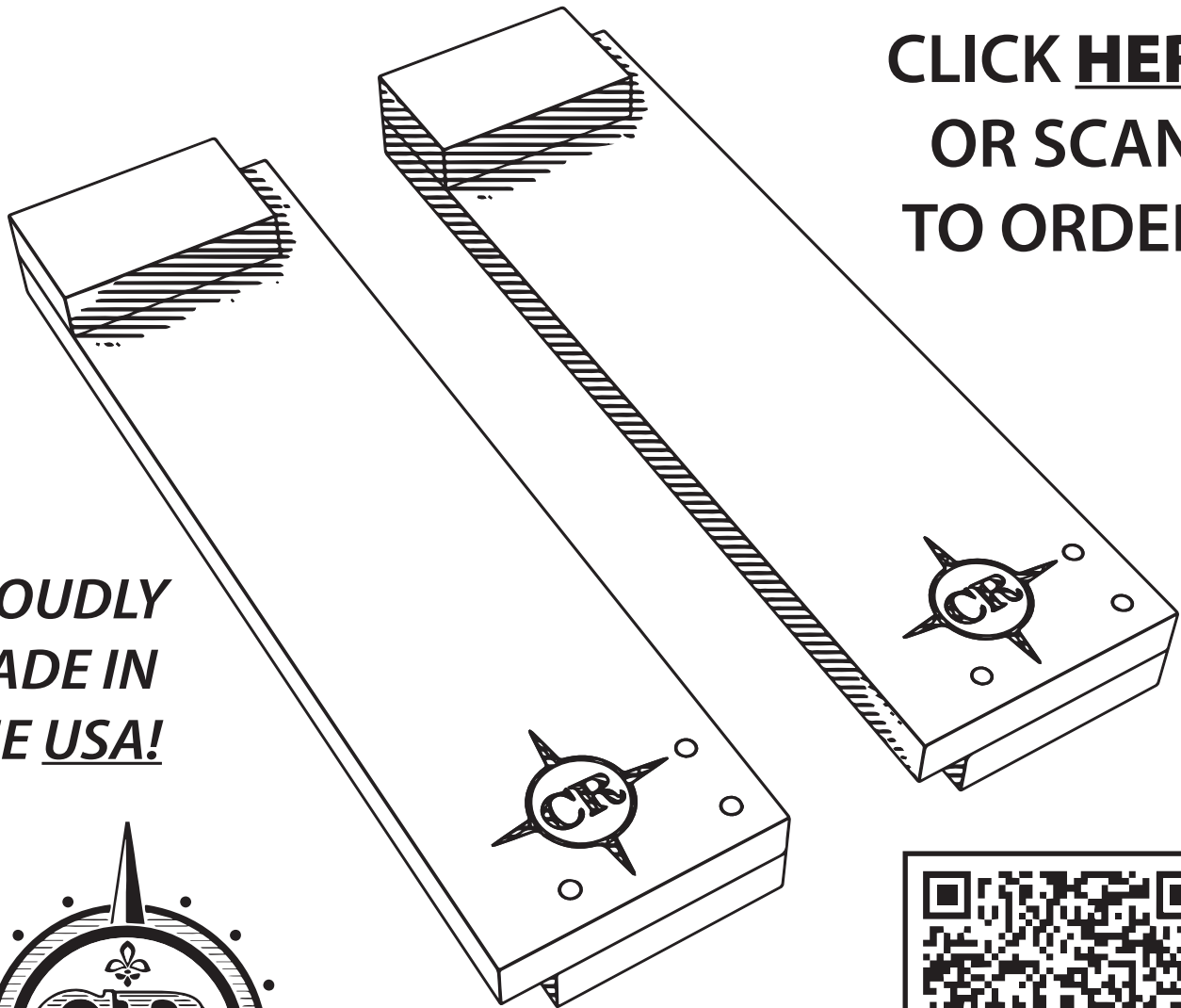


Compass Rose Toolworks

Design and Plans: R. Krueger | Modeling & Drafting: L. Dunn

Sawyer's Hooks

CLICK HERE
OR SCAN
TO ORDER!



***PROUDLY
MADE IN
THE USA!***

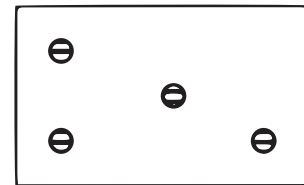
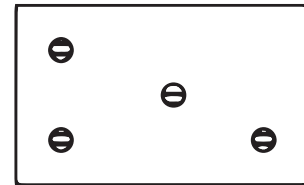
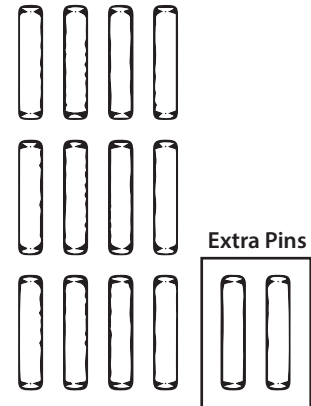


Assembly Guide

Parts



Stage

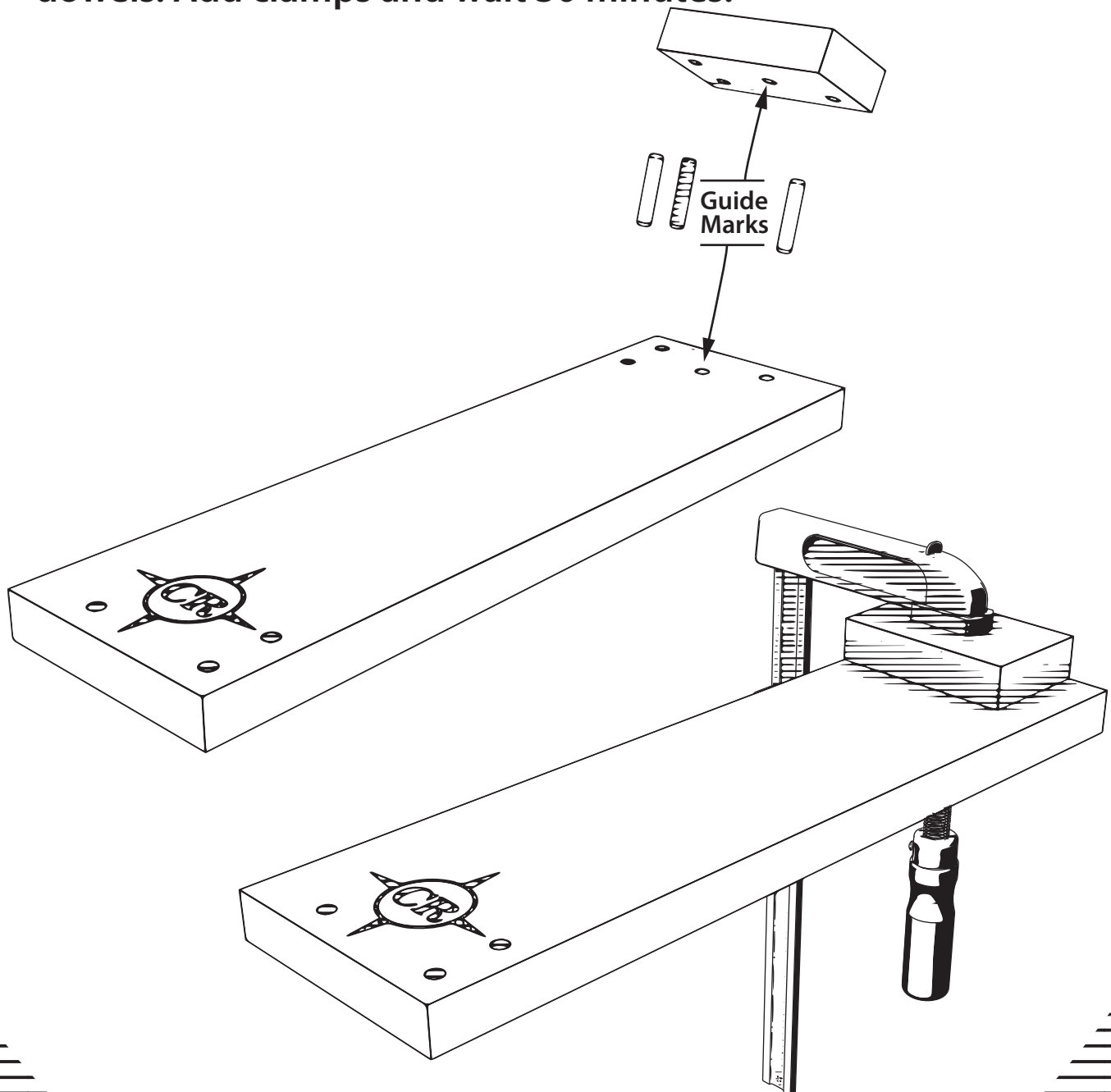


Block

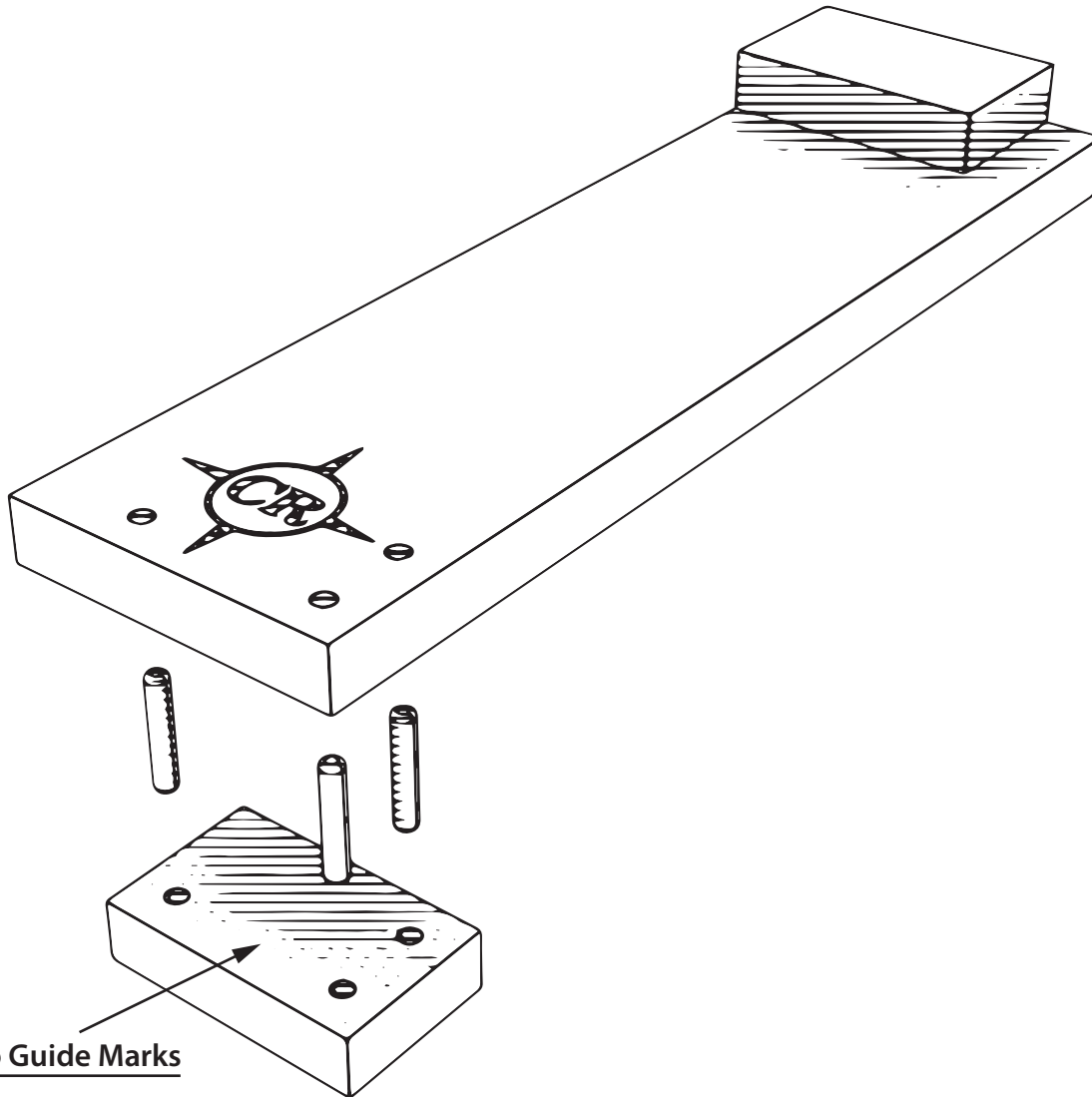
Your kit comes with everything you need to make two hooks. You only need 12 dowel pins, but we've included 2 more in case you lose one.

Assemble Top Blocks

Two of your blocks have a guide mark (•) in the middle. These blocks go on top of the stage with the guide mark down. Put glue on the underside of the block and on the dowels. Add clamps and wait 30 minutes.



Assemble Bottom Blocks

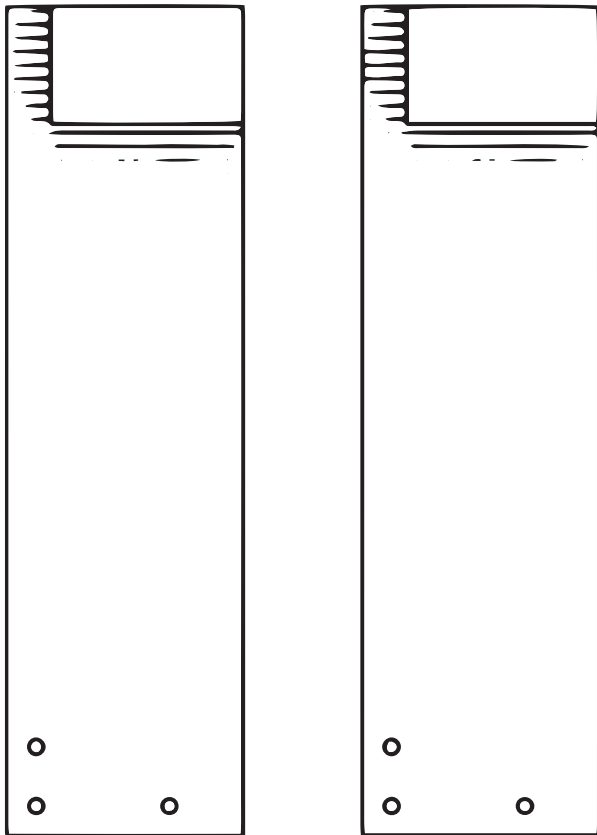


Your other two blocks have no guide mark. They will only fit one way. Add glue to the top face of the block, add dowels and clamp for 30 minutes.

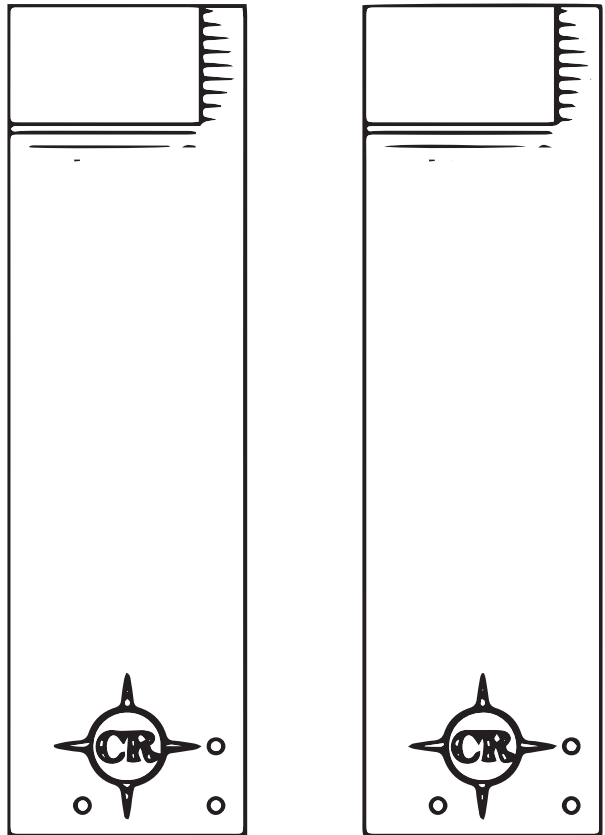
Right or Left Handed

Our hooks can be used left or right-handed with no modification. With the logos facing up, they're ready for right-handed use.

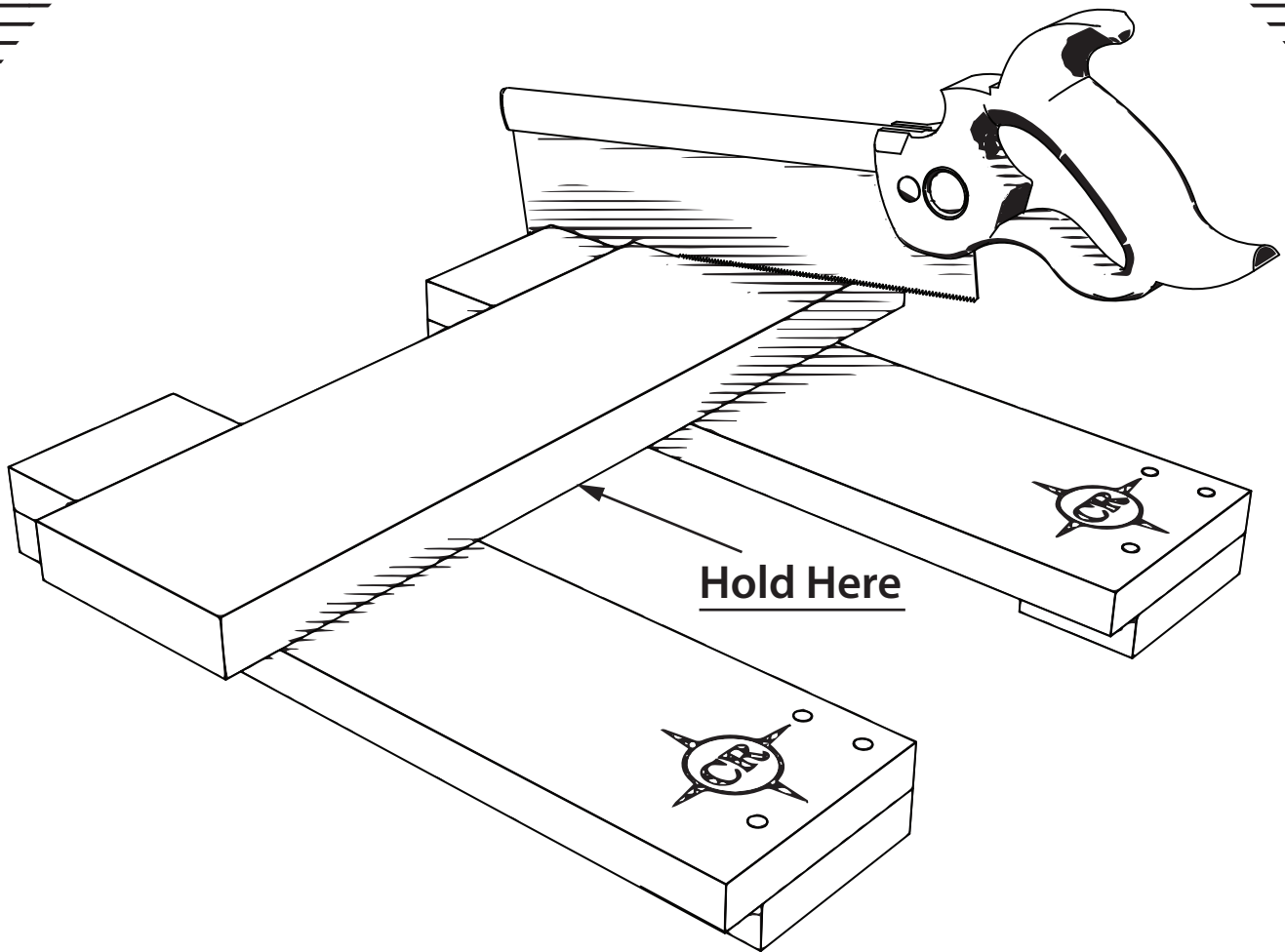
Left Handed Use (Logo Down)



Right Handed Use (Logo Up)

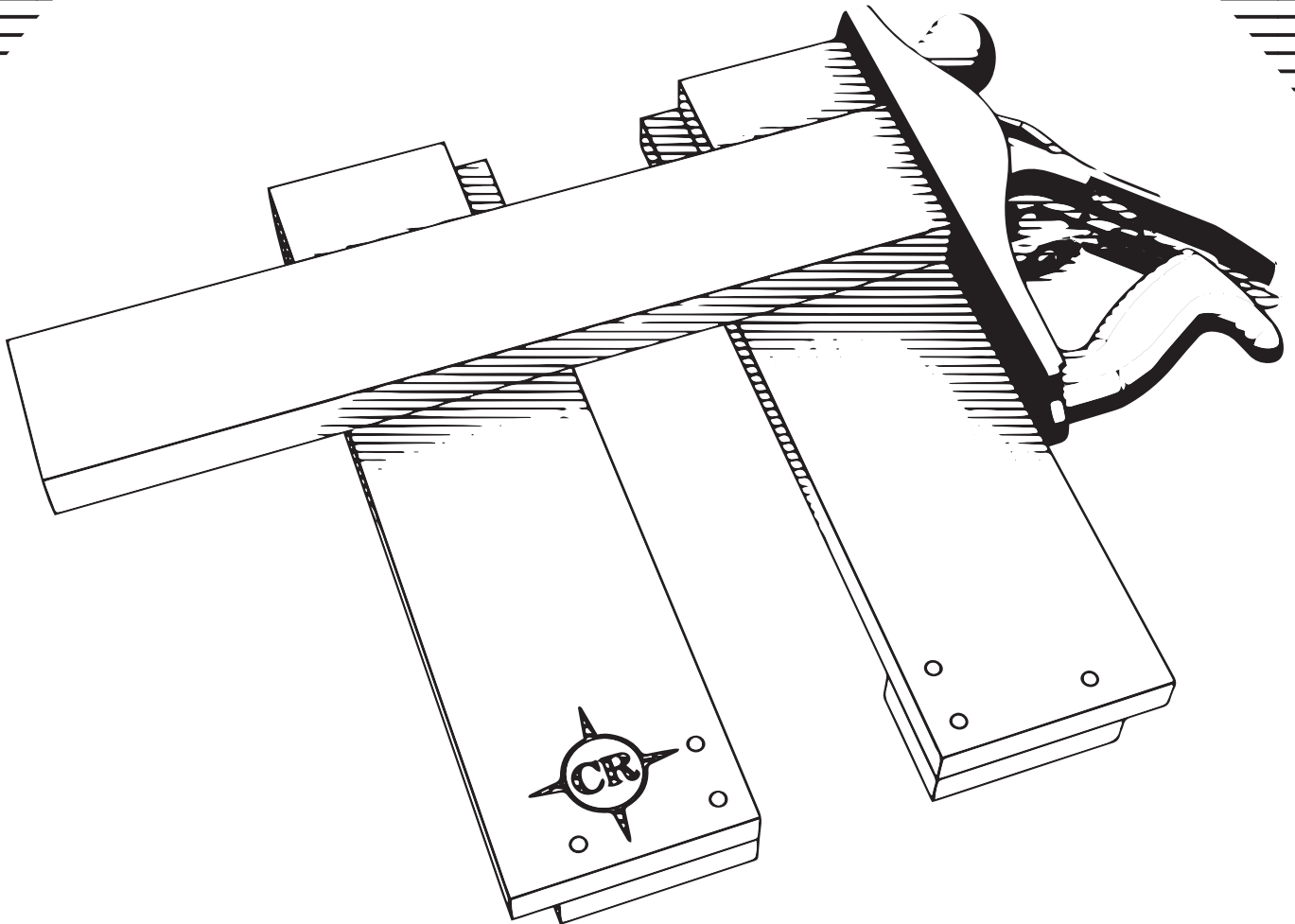


Sawing



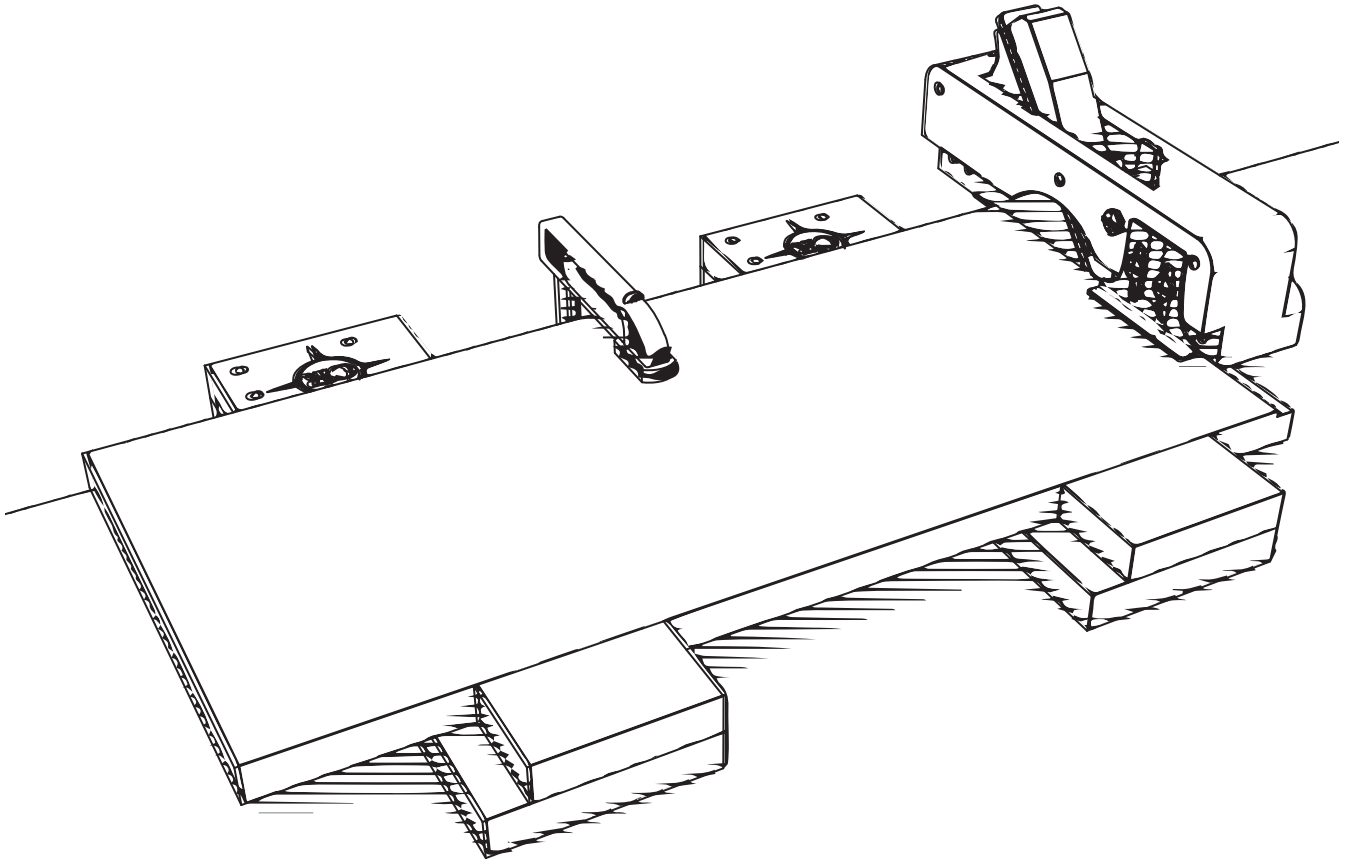
For fine cross cuts and sawing the shoulders of joints, set your hooks at the ends of your stock for maximum support. Place your off-hand between the hooks and press forward firmly to hold the stock in place. Align your layout line with the inside of the fence and saw. Don't worry about sawing into the face of your hook. Cutting into the hook is part of using it and small saw cuts won't hurt anything. Saywer's Hooks are made for fine cuts with joinery saws. For larger crosscuts with handsaws, use a vise or saw-bench.

Shooting



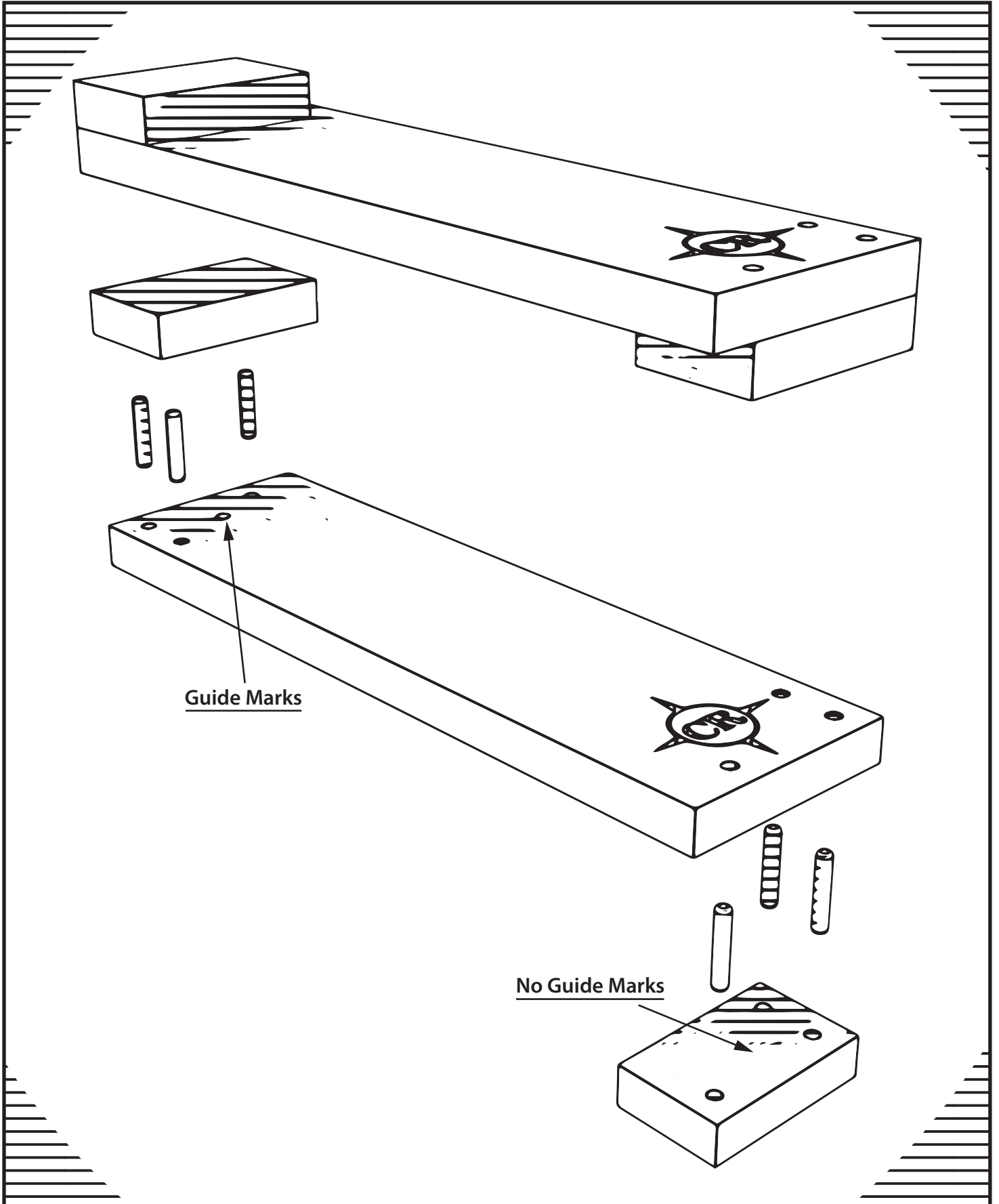
After you make a cut, you can shoot the end-grain of your work with any common bench plane. Flip one hook over so the logo is facing down. Align the end of your work so it barely sticks out past the edge of the hook and run your plane back and forth up the side of the hook while you slowly feed the work toward the plane. The plane will cut the edge of your hook for the first few passes but the edge of the plane mouth will keep the plane from cutting any further.

Special Use

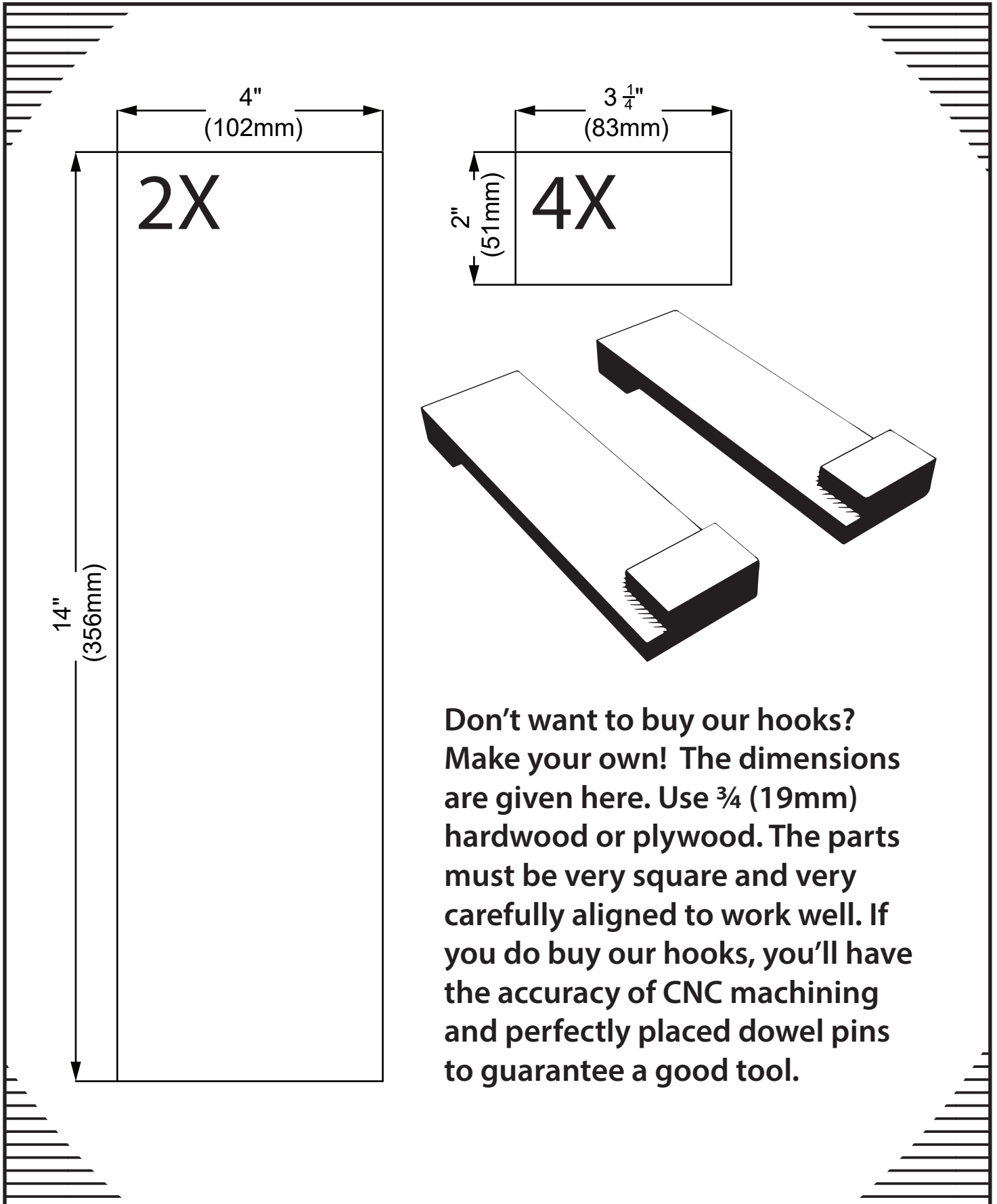


Your Sawyers Hooks are also excellent for cutting joinery like rabbets in the ends of boards. For these cuts, it's often useful to add a clamp in the middle of your work and have both hands free for guiding your joinery plane.

Exploded

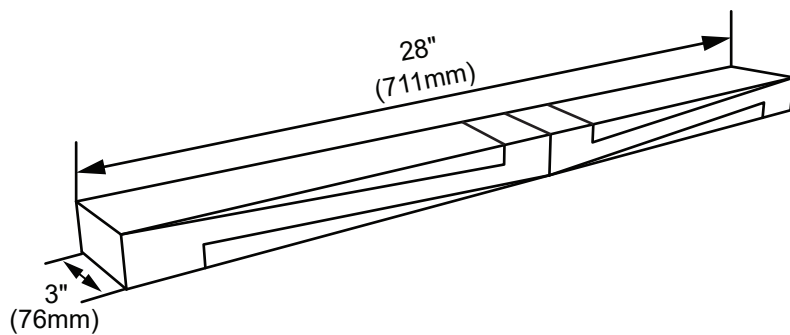
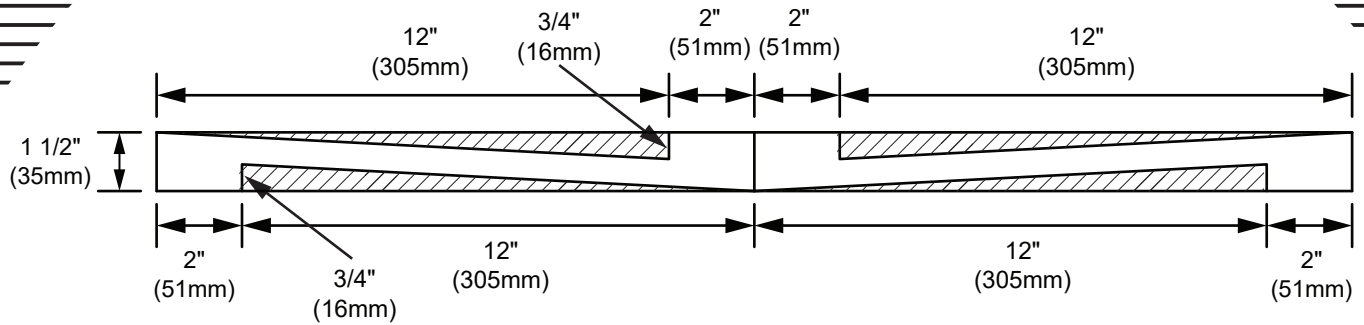


Build Your Own



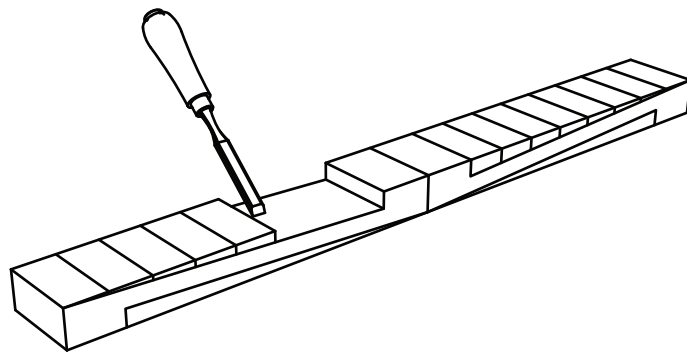
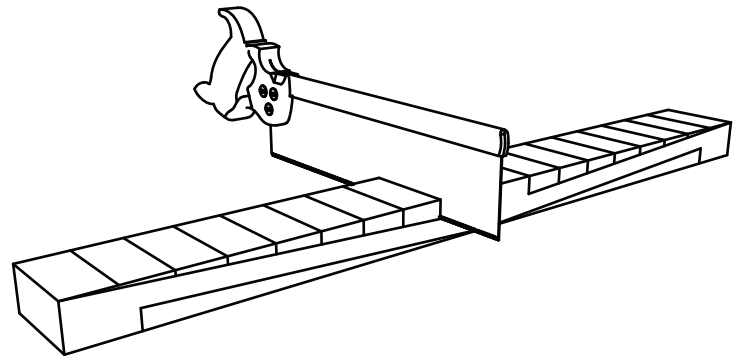
Don't want to buy our hooks? Make your own! The dimensions are given here. Use $\frac{3}{4}$ (19mm) hardwood or plywood. The parts must be very square and very carefully aligned to work well. If you do buy our hooks, you'll have the accuracy of CNC machining and perfectly placed dowel pins to guarantee a good tool.

Solid Wood Version



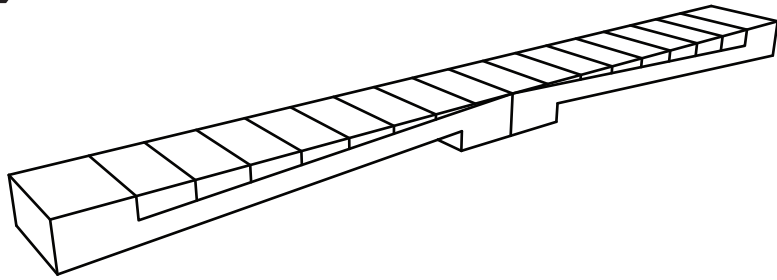
1) Square-up a length of 2x4 and lay out as shown above.

2) Break up the waste with several saw cuts, but don't cut past your layout lines.



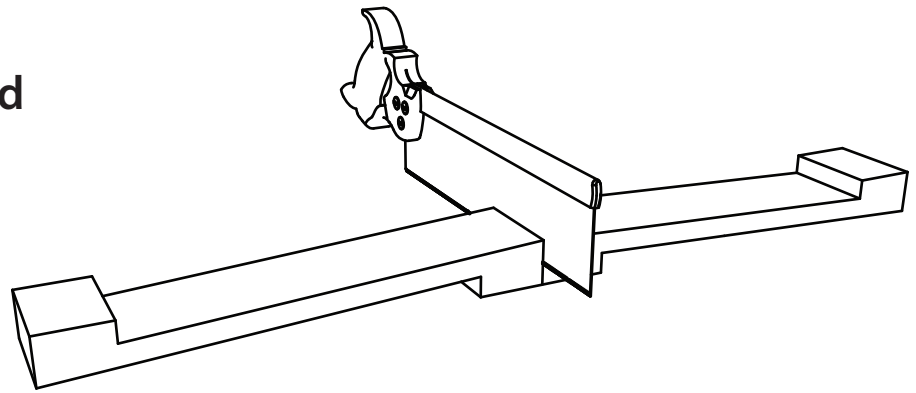
3) Chip out the waste with a chisel and trim down to the lines.

Solid Wood Version



4) Flip over and repeat.

5) Saw the completed hooks apart.



6) Complete set.

