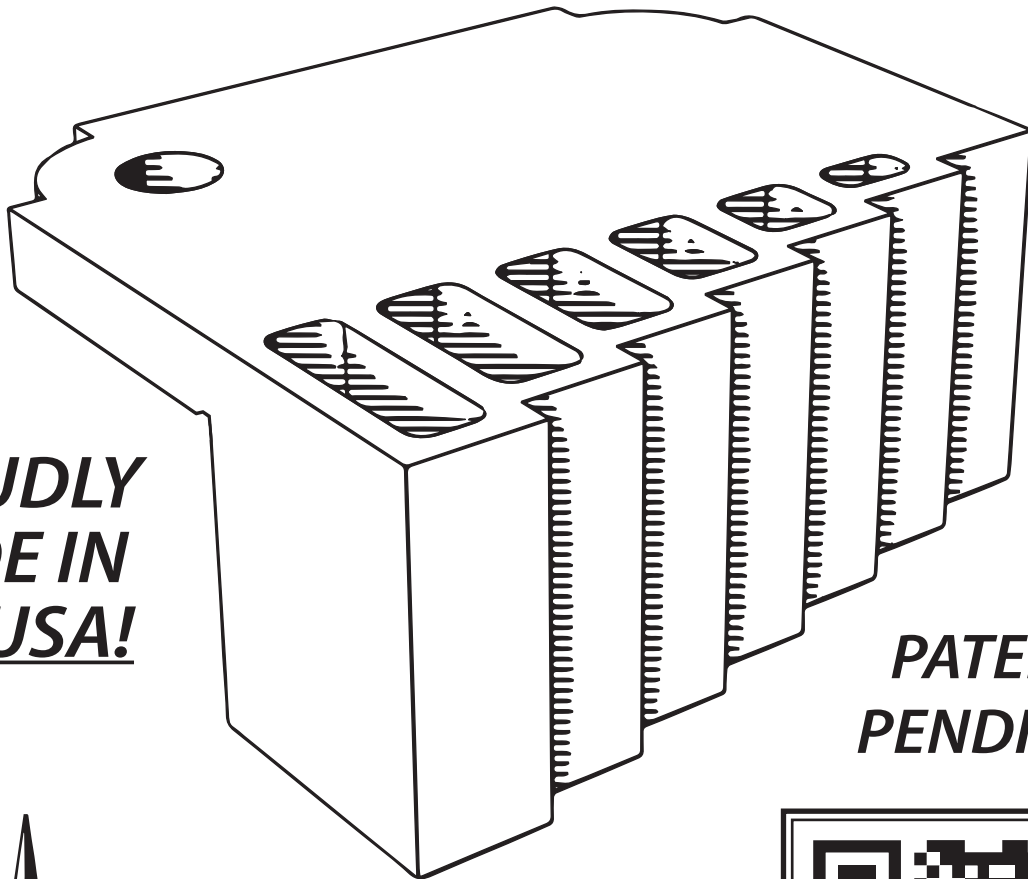


Compass Rose Toolworks

Design and Plans: R. Krueger | Modeling & Drafting: L. Dunn

Vise Block



**PROUDLY
MADE IN
THE USA!**

**PATENT
PENDING!**

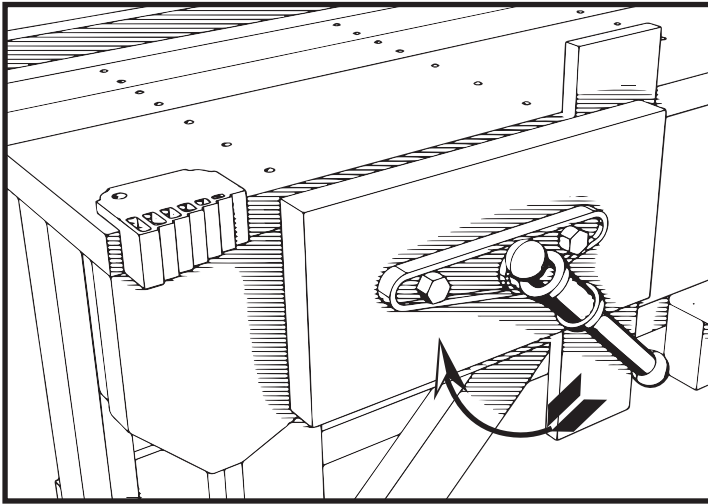


**CLICK HERE
OR SCAN
TO ORDER!**



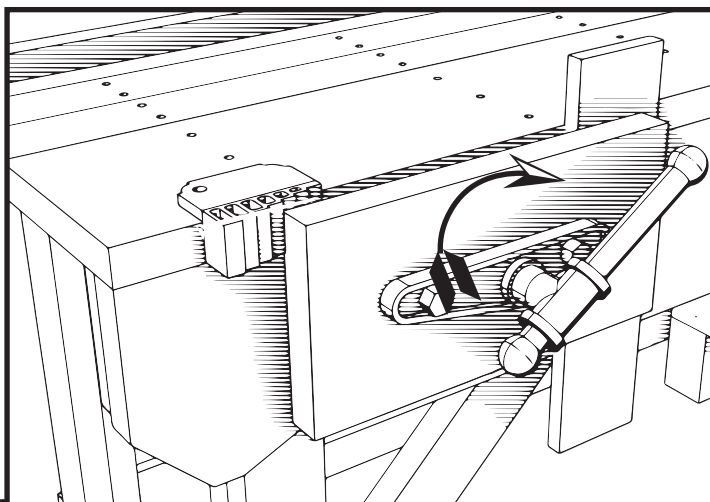
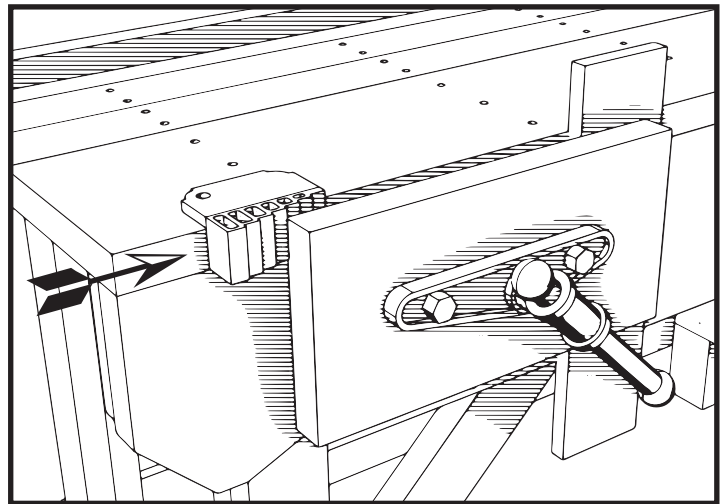
User Guide

Ease of Use



1) Place the material in the vise and lightly snug it down to hold it in place.

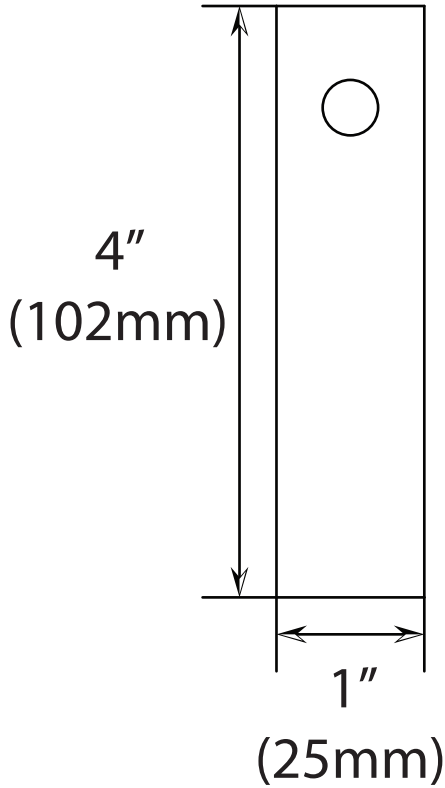
2) Slide the vise block into the vise.



3) Tighten the vise to firmly secure the material.

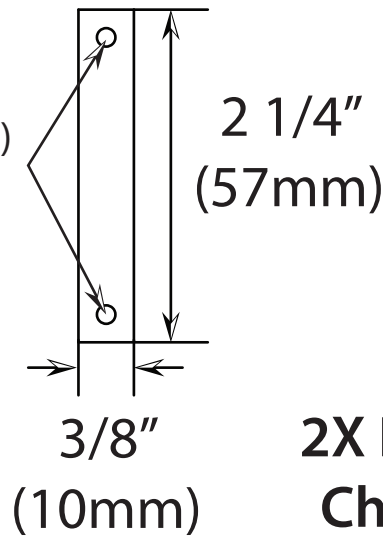
Wrack Stop

12X Shims

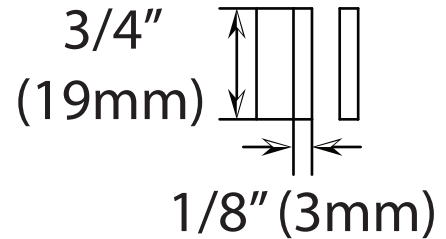


Pin

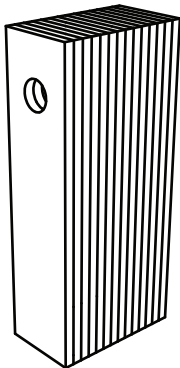
These 1/8" (3mm) holes must be parallel.



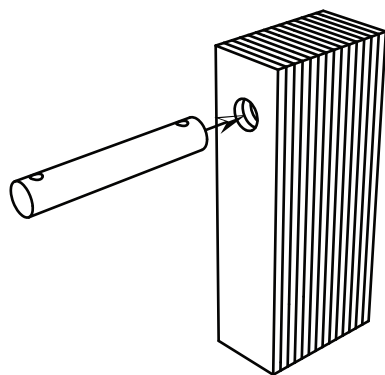
2X Bamboo Chopstick



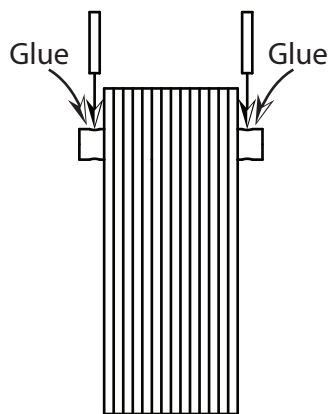
1) Stack the shims.



2) Insert the pin.



3) Glue in chopsticks.



4) Completed wrack stop.

